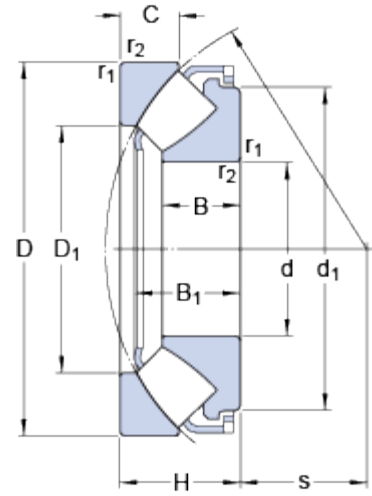


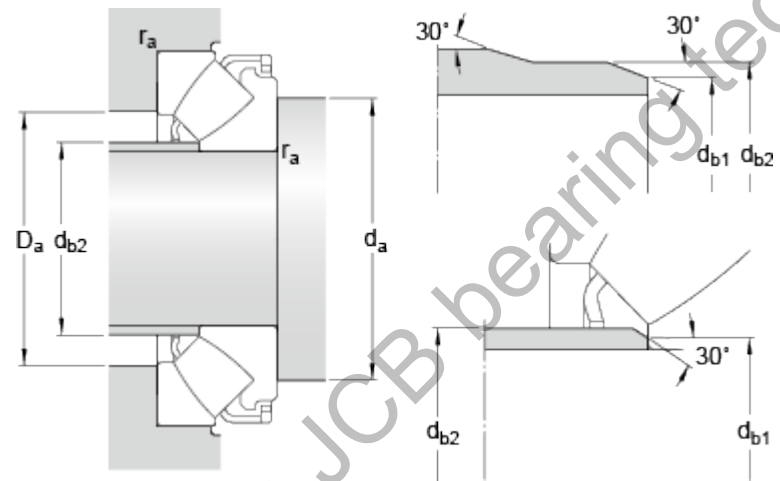
# 29364 E

## Dimensions



d	320	mm
D	500	mm
H	109	mm
d <sub>1</sub>	≈ 454	mm
D <sub>1</sub>	≈ 391	mm
B	68	mm
B <sub>1</sub>	97.8	mm
C	53	mm
s	180	mm
r <sub>1,2</sub>	min. 5	mm

## Abutment dimensions



d <sub>a</sub>	min. 405	mm
d <sub>b1</sub>	max. 332	mm
d <sub>b2</sub>	max. 347	mm
D <sub>a</sub>	max. 442	mm
r <sub>a</sub>	max. 4	mm

## Calculation data

Basic dynamic load rating	C	3350	kN
Basic static load rating	C <sub>0</sub>	11200	kN
Fatigue load limit	P <sub>u</sub>	1000	kN
Reference speed		750	r/min
Limiting speed		1200	r/min
Minimum axial load factor	A	12	

## Mass

Mass bearing		78	kg
--------------	--	----	----